

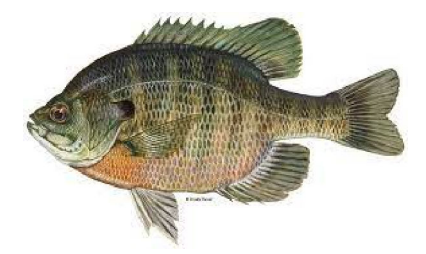
# Fort Carson North Side Reservoir

## Species of Fish

Largemouth Bass  
(*Micropterus salmoides*)



Bluegill  
(*Micropterus salmoides*)



Catfish  
(*Siluriformes*)



Rainbow Trout  
(*Oncorhynchus mykiss*)



## North Side Reservoir Bag Limits

- Bass (5)
- Catfish (10)
- Rainbow Trout (4)
- Crappie / Bluegill (20)

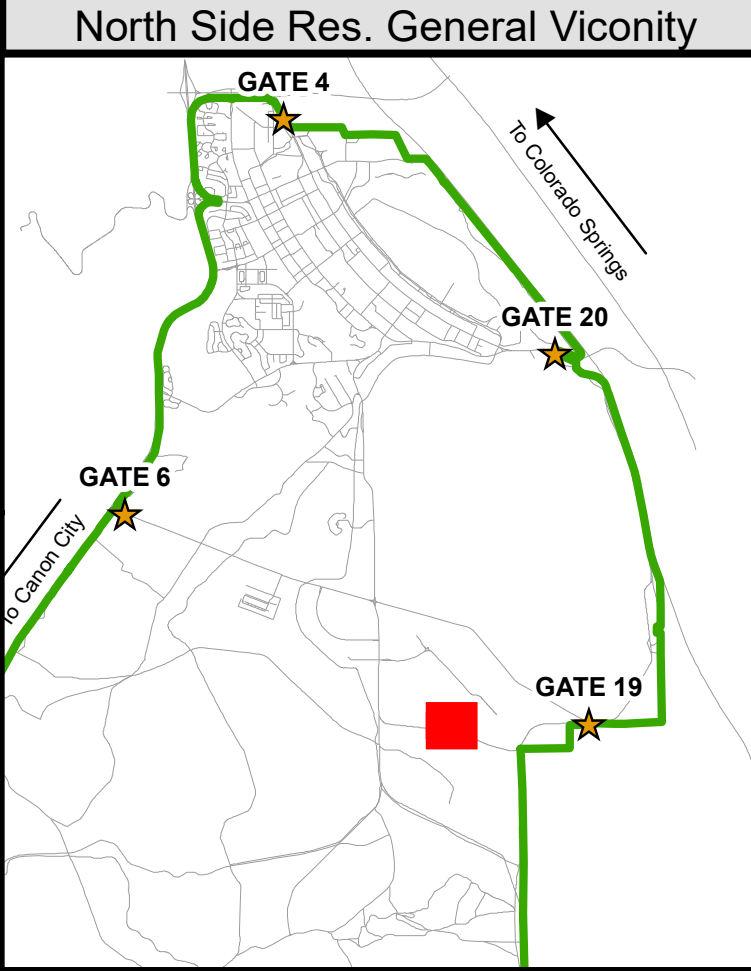
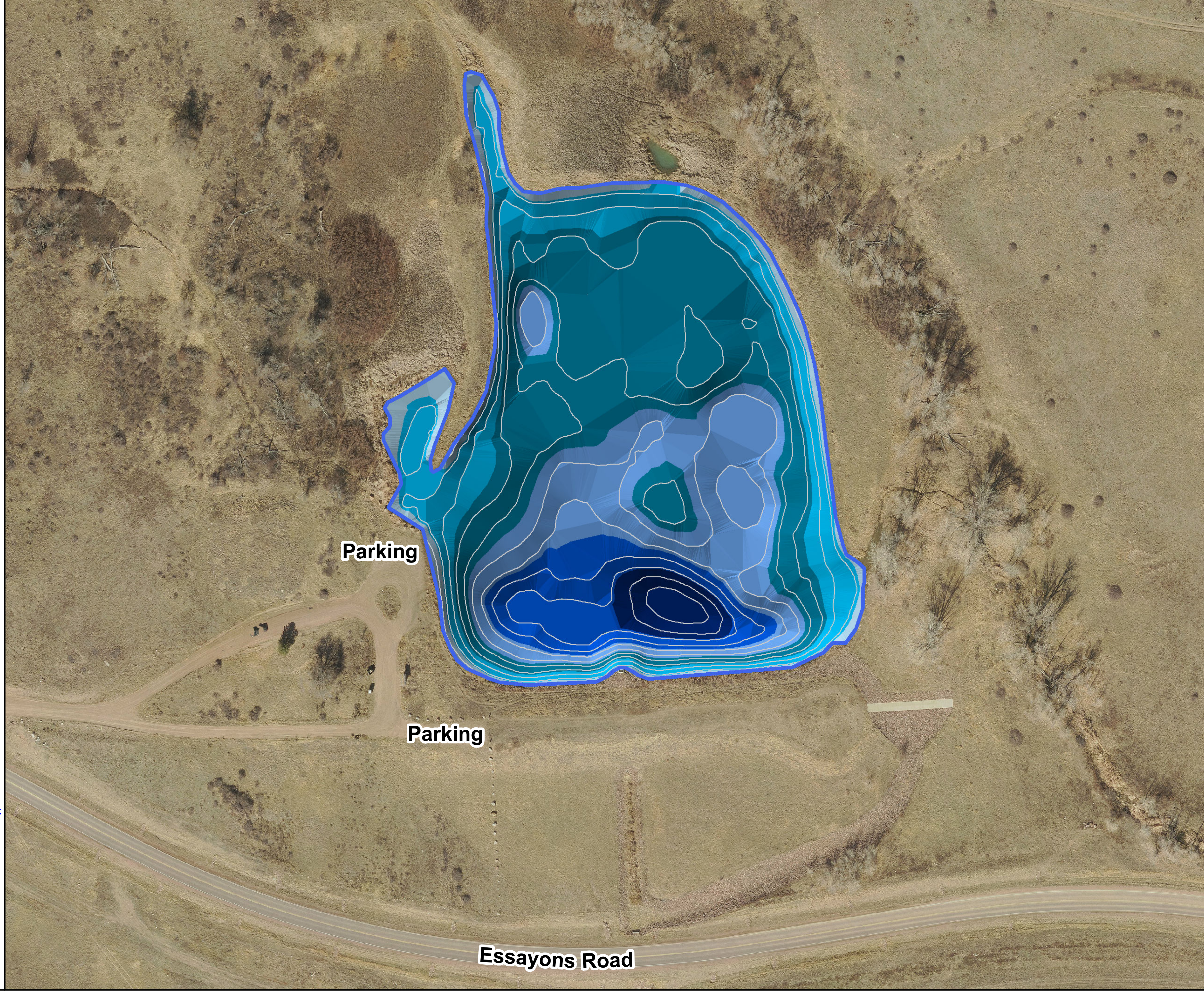
iSportsman...  
Hunting / Fishing: (719) 725-4682

Wildlife: (719) 646-9065

Wildlife Office B1219, Rm. 340, 319, & 320  
(Hours: 0700-1530 Mon.-Fri.)

For Additional Information  
Please Click The Link Below

<https://fortcarson.isportsman.net>



### Legend

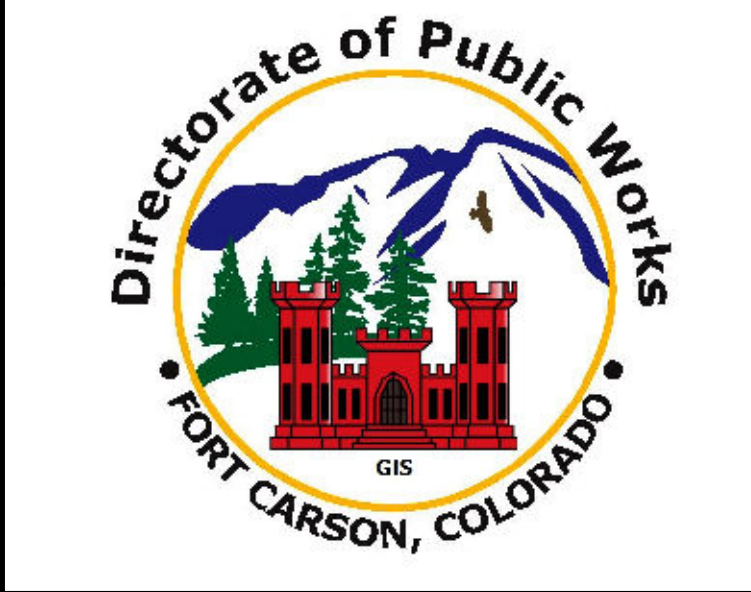
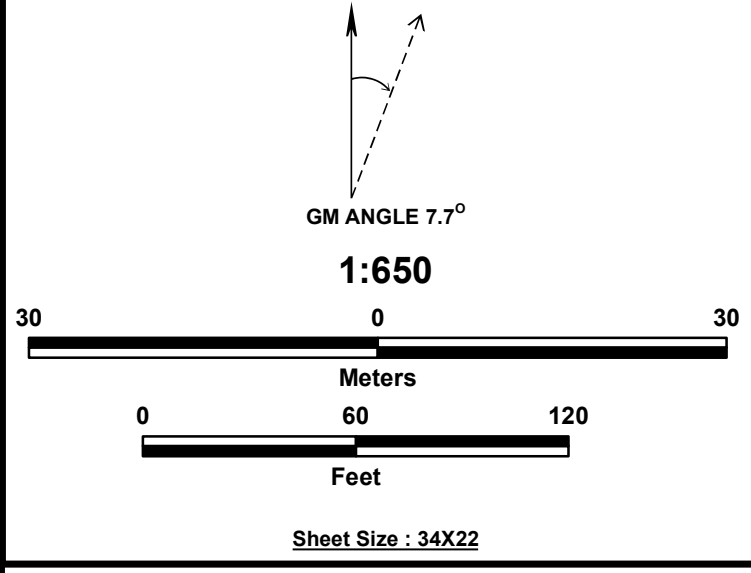
- N. Side Res. (5 Ac.)
- N. Side Contours (1ft)

### Subsurface Depth

- 1 - 2 Feet
- 2 - 4 Feet
- 4 - 6 Feet
- 6 - 8 Feet
- 8 - 10 Feet
- 10 - 11 Feet

### FOR OFFICIAL USE ONLY

IF YOU SEE ANY ERRORS OR OMISSIONS ON THIS MAP, PLEASE CALL DPW GIS OR MARK YOUR CHANGES AND RETURN FOR UPDATES.



<b>FORT CARSON</b>		
COMMON INSTALLATION PICTURE		
N. Side Reservoir Fishing Map		
DPW ENGINEERING DIVISION GIS		
PRODUCTION: DPW GIS / TUKUH TECH. PHONE: (719) 524-1085		
PREPARED BY: JC	CHECKED BY: JC	PREPARED: 5/24/2021
FILE NAME: North Side Fishing Map	SHEET: 1 of 1	