

Fort Carson Haymes Reservoir

Species of Fish

Largemouth Bass
(Micropterus salmoides)



Bluegill
(Micropterus salmoides)



Catfish
(Siluriformes)



Rainbow Trout
(Oncorhynchus mykiss)



Townsend Reservoir Bag Limits

- Bass (5)
- Catfish (10)
- Rainbow Trout (4)
- Crappie / Bluegill (20)

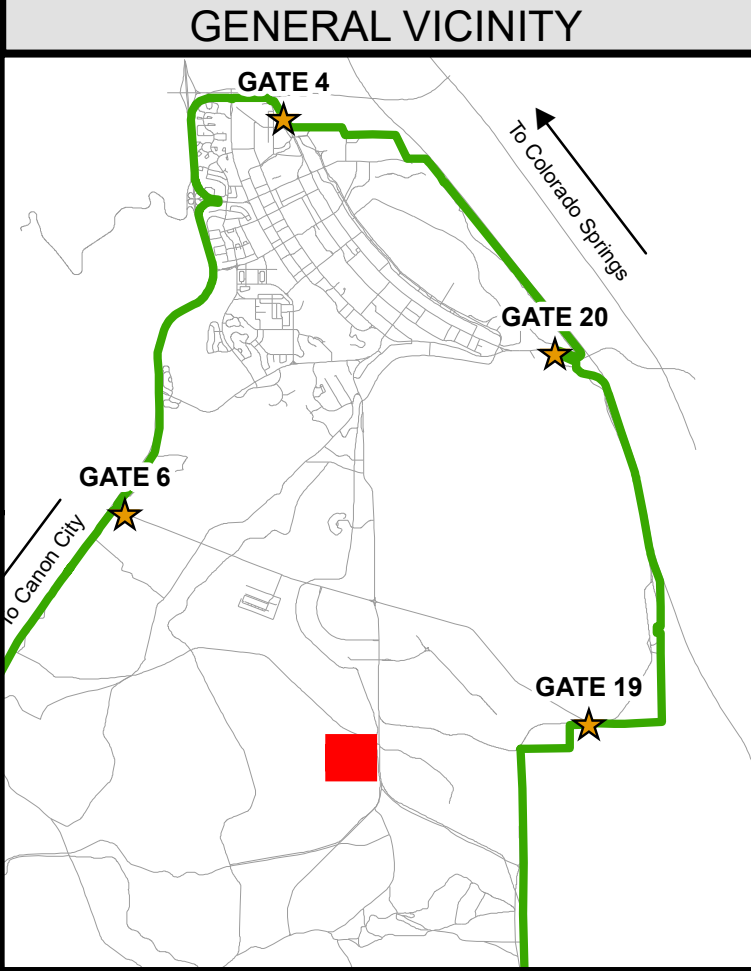
iSportsman...
Hunting / Fishing: (719) 725-4682

Wildlife: (719) 646-9065

Wildlife Office B1219, Rm. 340, 319, & 320
(Hours: 0700-1530 Mon.-Fri.)

For Additional Information
Please Click The Link Below

<https://fortcarson.isportsman.net>

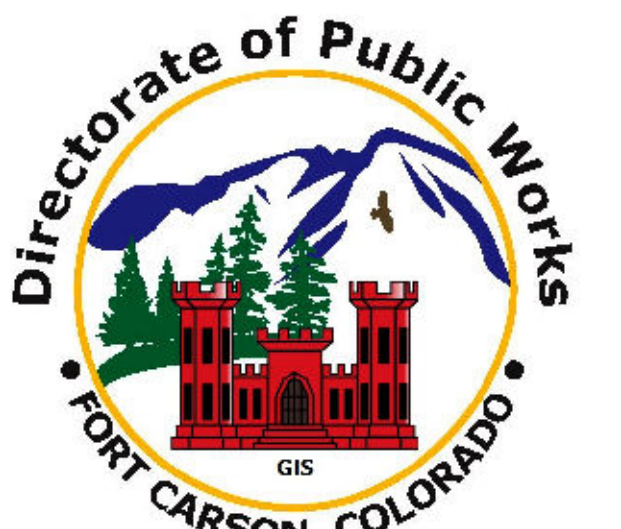
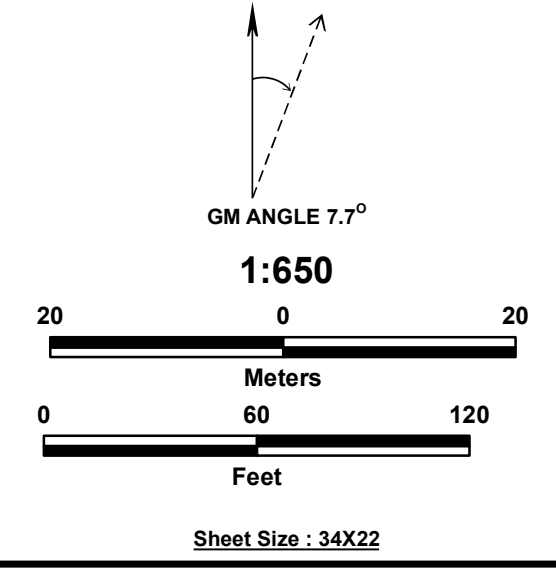


Legend

Haymes Res. (6 Ac.)

FOR OFFICIAL USE ONLY

IF YOU SEE ANY ERRORS OR OMISSIONS ON THIS MAP, PLEASE CALL DPW GIS OR MARK YOUR CHANGES AND RETURN FOR UPDATES.



FORT CARSON

COMMON INSTALLATION PICTURE

Haymes Reservoir Fishing Map

DPW ENGINEERING DIVISION GIS

PRODUCTION: DPW GIS / TUKUH TECH.
PHONE: (719) 524-1085

| | | |
|--------------|-------------|-----------|
| PREPARED BY: | CHECKED BY: | PREPARED: |
| JC | JC | 5/25/2021 |

| | |
|--------------------|--------|
| FILE NAME: | SHEET: |
| Haymes Fishing Map | 1 of 1 |